

Name: Casper		Date: 11/18/2013	Event:
City: _____ State: _____		Track: _____	

Track Conditions	<input checked="" type="checkbox"/> Indoor <input type="checkbox"/> Tight <input checked="" type="checkbox"/> Smooth <input checked="" type="checkbox"/> Hard Packed <input checked="" type="checkbox"/> Blue Groove <input checked="" type="checkbox"/> Wet <input type="checkbox"/> Grass <input type="checkbox"/> Low Bite <input checked="" type="checkbox"/> High Bite
	<input type="checkbox"/> Outdoor <input checked="" type="checkbox"/> Open <input type="checkbox"/> Rough <input type="checkbox"/> Loose/Loamy <input type="checkbox"/> Dry <input type="checkbox"/> Dusty <input type="checkbox"/> Astro Turf <input type="checkbox"/> Med Bite <input type="checkbox"/> Other _____

Front Suspension

Toe: 0

Ride Height: 24

Camber: -1

Caster: 0° 5° Trail: 2mm 4mm

Kick Angle: 20° 25° 30°

Sway Bar: None

Oil: 30

Piston: 2 x 1.6 (TLR233009)

Spring: Standard Low Freq. Color: Orange

Front Pivot: Aluminum Plastic HRC

Kick Shim: Brass Plastic

Shock Limiters: 2mm inside

Shock Location: 2-outside

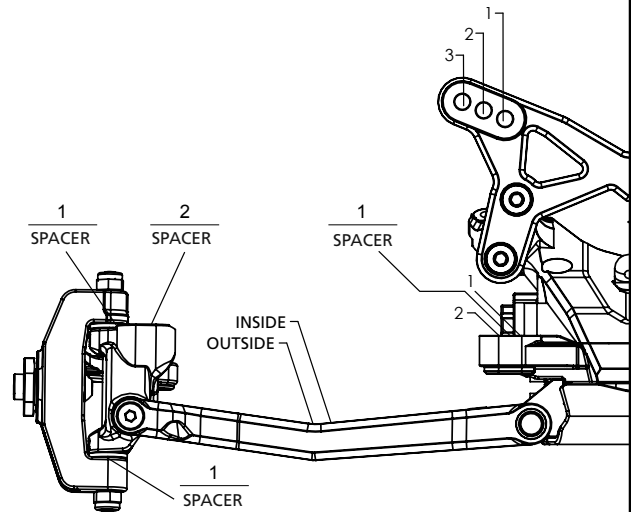
Bump Steer Ball Stud: Standard Low Mount

Bumper Steer Spacers: 0.5mm

Ackermann Ball Stud: Standard Low Mount

Ackermann Spacers: 0

Camber Link: 2-B



Notes: Alum Front Camber Block (TLR2059)

Rear Suspension

Chassis Configuration: Rear Motor Mid Motor

Toe: 3

Anti-Squat: 2

Roll Center: Low Roll Center (LRC) High Roll Center (HRC)

Ride Height: 23.5

Camber: -1

Rear Hub Spacing: 3mm back

Hex Width: STD

Sway Bar: None

Oil: 27.5

Piston: 2 x 1.6 (TLR233009)

Spring: Standard Low Freq. Color: White

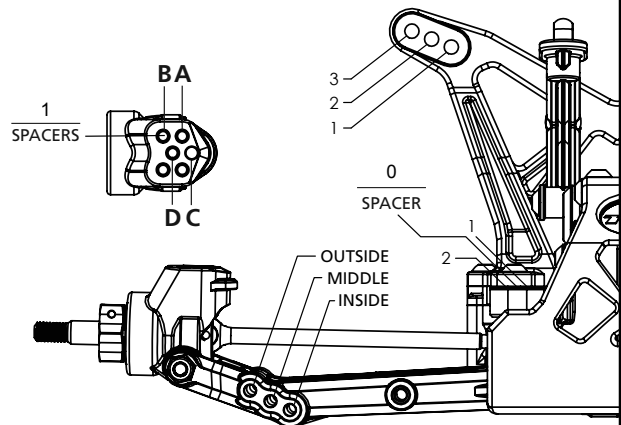
Shock Limiters: 0

Camber Link: 1-A

Shock Locations: 2-inside

Wing/Wickerbill: 2nd line

Battery Position: Shorty one pad back.

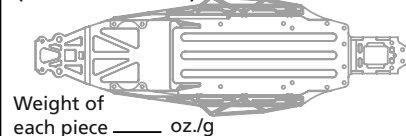


Electronics

Radio: <u>DX3R</u>	Timing Advance: <u>10</u>
Servo: <u>S6040</u>	Throttle/Brake Expo: <u>0</u>
ESC: <u>Tekin RS Gen 2</u>	Servo Expo: <u>0</u>
Initial Brake: <u>0</u>	Throttle/Brake EPA: <u>100/ Adjust</u>
Drag Brake: <u>12</u>	Motor: <u>Tekin Redline Gen 2 9.5</u>
Throttle Profile: <u>3</u>	Pinion: _____ Spur: _____
	Battery: <u>Venom 3800mah Shorty</u>

Weight Placement

(Mark with "X")



Tires	Compound	Insert	Additive
Front: <u>Panther Bobcat</u>	<u>Blue</u>	<u>White 3/4 rear</u>	<u>Sticky Kicks Blue</u>
Rear: <u>Panther Rattler 2.0</u>	<u>Blue</u>	<u>Orange CSF</u>	<u>Sticky Kicks Blue</u>
Notes: <u>Casper-RC.com Thrust bearing</u>			