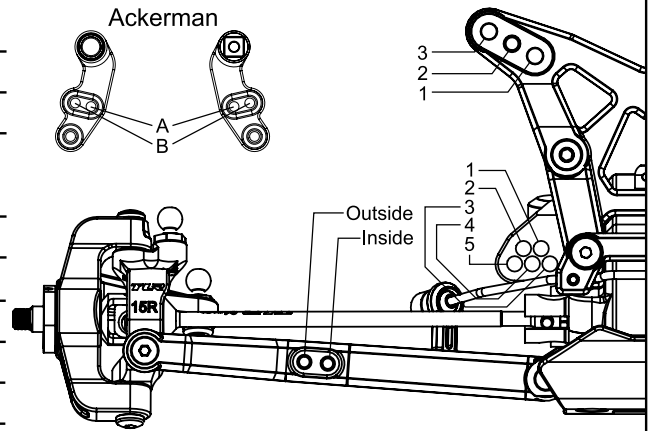


Name: <u>Ryan Dunford</u>		Date: _____	Event: _____
City: _____	State: _____	Track: <u>OCRC</u>	

Track Conditions:  Indoor  Tight  Smooth  Hard Packed  Blue Groove  Wet  Grass  Low Bite  High Bite  
 Outdoor  Open  Rough  Loose/Loamy  Dry  Dusty  Astro Turf  Med Bite  Other \_\_\_\_\_

**Front Suspension**

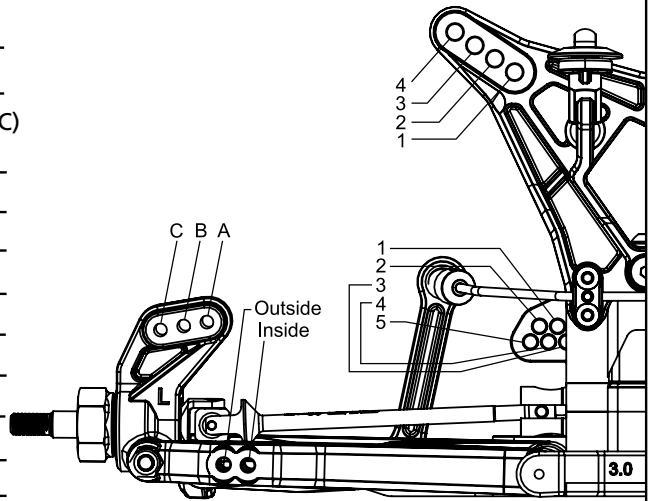
Toe: 1 deg out  
 Ride Height: 22.5  
 Camber: -1  
 Caster:  10°  15°  20°  
 Sway Bar: None  
 Oil: 32.5  
 Piston: 1.7  
 Spring:  Standard  Low Freq. Color: Orange  
 Shock Limiters: 2mm internal  
 Shock Location: 2-inside  
 Bump Steer Ball Stud:  Standard  Low Mount  
 Bumper Steer Spacers: 2mm  
 Camber Link: 1-outside has 2mm spacer  
 Ackermann: A



Notes: \_\_\_\_\_  
 \_\_\_\_\_  
 \_\_\_\_\_

**Rear Suspension**

Toe: 3  
 Anti-Squat: 2.5  
 Roll Center:  Low Roll Center (LRC)  High Roll Center (HRC)  
 Ride Height: 22.5  
 Camber: -1.5  
 Rear Hub Spacing: 3 mm ft, 1 mm back  
 Hex Width: +1.5  
 Sway Bar: yellow  
 Oil: 25  
 Piston: 1.7  
 Spring:  Standard  Low Freq. Color: Pink  
 Shock Limiters: 0  
 Camber Link: 3-B  
 Shock Locations: 1-inside  
 Wing/Wickerbill: \_\_\_\_\_  
 Battery Position: Forward



**Electronics**

Radio: \_\_\_\_\_ Timing Advance: \_\_\_\_\_  
 Servo: \_\_\_\_\_ Throttle/Brake Expo: \_\_\_\_\_  
 ESC: \_\_\_\_\_ Servo Expo: \_\_\_\_\_  
 Initial Brake: \_\_\_\_\_ Throttle/Brake EPA: \_\_\_\_\_  
 Drag Brake: \_\_\_\_\_ Motor: \_\_\_\_\_  
 Throttle Profile: \_\_\_\_\_ Pinion: \_\_\_\_\_ Spur: \_\_\_\_\_  
 Battery: \_\_\_\_\_

Tires	Compound	Insert	Additive
Front: _____	_____	_____	_____
Rear: _____	_____	_____	_____
Notes: _____	_____		